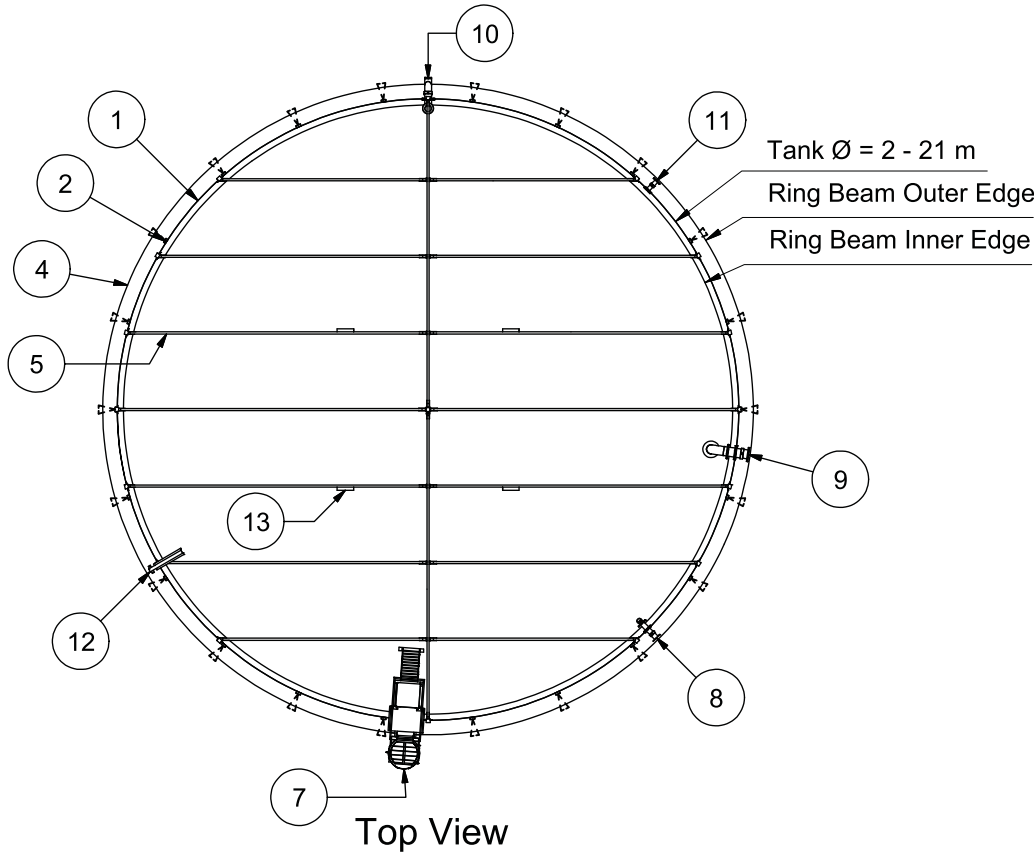
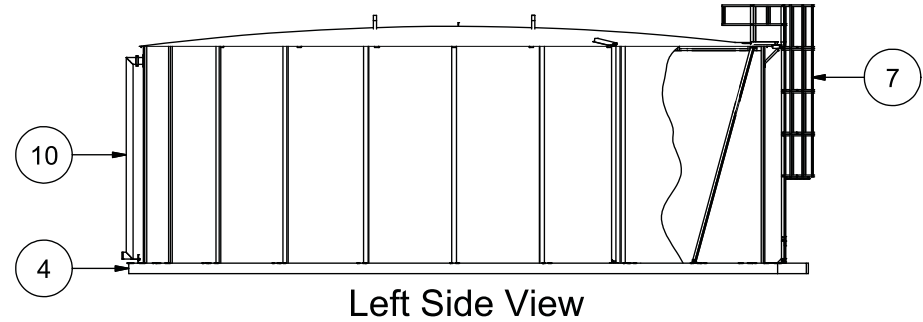
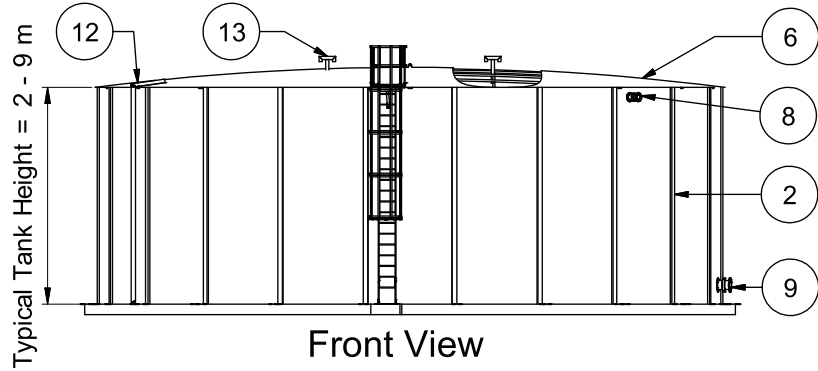


Not to scale



PARTS LIST			
ITEM	QTY	PART NUMBER	DESCRIPTION
1	1	Tank Wall	Bluescope Zincalume G300 AZ150 Resin coated panels, bolted together using Gr 8.8 HDG SBS specific bolts.
2	-	Wind Girts/Uprights & Covers	Wind Girts are 2.4 mm HDG sheet metal, punched and bent into profile. Covers are Bluescope Zincalume G300 AZ 150 Resin coated panels.
3	1	Liner	SBS 700g potable propriety liner. Meets AS/NZS 4020-2005
4	1	Concrete Ring Beam	Reinforced, 25Mpa min
5	1	Truss Set	Fabricated from SHS (Min 300 MPa) and equal angle steel. HDG after fabrication
6	1	Dome Roof	Corrugated roof sheeting, 0.47 mm Zincalume AZ150 Coating
7	1	Tank Access	Fixed, c/w int & ext ladders, safety cage, platform, access hatch & hand rails
8	1	Inlet	Int Deflector, ext Flanged
9	1	Outlet	Int Anti-vortex, ext Flanged
10	1	Overflow	Int Bell Mouth, ext Downpipe
11	1	Dump Drain	ext Flanged
12	1	Water Level Indicator	Mechanical (True Read Type)
13	4	Ventilator	Static

Rev.	By	Date	Revisions	Approved
5				
4				
3	BEW	2014/02/18		BMcP
2	BEW	2013/07/22	Updated	DG
1	BEW	2013/02/04	Updated	DG

Drawn:	BEW
Date:	2013/01/21
Approved:	BMcP
Date:	2013/01/22

Unit 6 Surprise Park, 11 Surprise Rd, Morningside, 3610 Kwa-Zulu Natal, South Africa  
 Tel: +27 (0)31 716 1820 Fax: +27 (0)31 716 1821  
 e-mail: info@sbswatanks.co.za  
 www.sbswatanks.co.za

The information contained herein is property to SBS Water Systems (Pty) Ltd and is covered by patent and copyright. This drawing is confidential and its contents may not be copied, reproduced or used for any purpose other than that originally intended without prior written permission of SBS Water Systems (Pty) Ltd

Title:		General Arrangement - SBS Tank	
Dwg No:	General Arrangement - SBS Tank_R03	Rev:	03
Description:	Standard	Sheet:	1 / 2